



With extremely simple design and excellent craftwork, exquisite appearance looks with rich of texture. Lamp is designed with special Direct/Indirect lighting and 50°(Direct) & 110°(Indirect) beam angle. Collocated with micro reflector and anti-glare cover, UGR value is as low as 6. Adopting DIY assembly structure, there is no need of professionals. With special bracket, light can be easily fixed at desk edge and is convenient for using. Typical value of light efficiency is 120lm/w, and lighting is of flicker free. Direct(30% power)/Indirect(70% power) lighting can be asynchronously controlled. There are available functions including motion-induction control, constant illuminance daylight-induction control and tunable white. Collocated with CASAMBI wireless system, intelligent functions of HCL, SWAM and others can be realized.

Main material includes aluminum profile, ADC12 and PC. Lamp body surface is treated with powder coating process.

## Features

---

Compact and quality appearance, patent design with rich texture and visual impact

---

High lumen efficiency reach to 120LM/W, fitting with 3000lm direct and 6600lm indirect lights, total 9600lm lumen output

---

Micro reflector design, UGR<6

---

Direct and indirect light control Individually

---

Support for smart control functions

- Touch panel dimming
  - Motion sensor
  - Day light sensor(optional)
  - Tunable white
  - CASAMBI(Customizable)
  - HCL(Customizable)
  - SWARM(Customizable)
- 

5 years warranty

---

## Application Areas

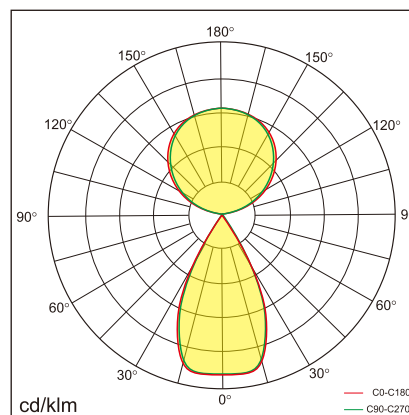
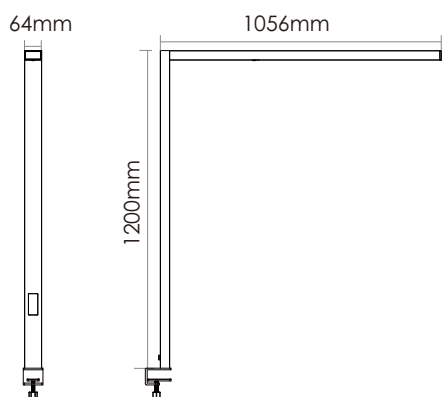
---

For personal offices, public offices and other office space.

---



# Technical data



Item No.	BLET-1208025-BD	BLET-1208025-CD
Input Power	↑55W/25W↓	↑55W/25W↓
Input Voltage	AC200~240V	AC200~240V
Power Factor	≥0.9	≥0.9
Luminous Flux	↑6600lm/3000lm↓	↑5500lm/2500lm↓
UGR	<6	<6
Color Rendering Index	>80	>80
Life Time	L80(B10)50,000H	L80(B10)50,000H
Beam Angle	↑110°/50°↓	↑110°/50°↓
CCT	3000/4000/6000K	3000~6000K
Colour consistency SDCM	< 3	< 3
Dimming	Touchpaneldimming	Touchpaneldimming
Sensor	Daylight sensor Motion sensor	Daylight sensor Motion sensor
Housing Color	Silver/White	Silver/White
Fixture Materia	6063AL	6063AL
Protection Level	IP20	IP20
Storage Temperature	-40°C~+80°C	-40°C~+80°C
Working Temperature	-20°C~+45°C	-20°C~+45°C
Net Weight	4.6kg	4.6kg
Package size	1435*220*135mm	1435*220*135mm
20GP	560pcs	560pcs
40GP	1240pcs	1240pcs

Shenzhen Nexol Lighting Technology Co.,Ltd.

E-mail: [info@nexol-lighting.com](mailto:info@nexol-lighting.com)

[www.nexol-lighting.com](http://www.nexol-lighting.com)

Factory: 3&4th F, Building A3, Xin-Gui-Yuan Industrial Park, DaFu Road, GuanLan Town, ShenZhen, China 518110

Of ce: 5th F, Building A1, Zhang-Ge Techno Park, GuanLan Town, ShenZhen, China 518110



All values in speci cation are typical value from laboratory measurement, for concrete data, please refer to shipment testing report.

Information provided is subject to change without notice. Please verify all details with NEXOL Lighting.

Copyright Shenzhen Nexol Lighting Co., Ltd.. All rights reserved.