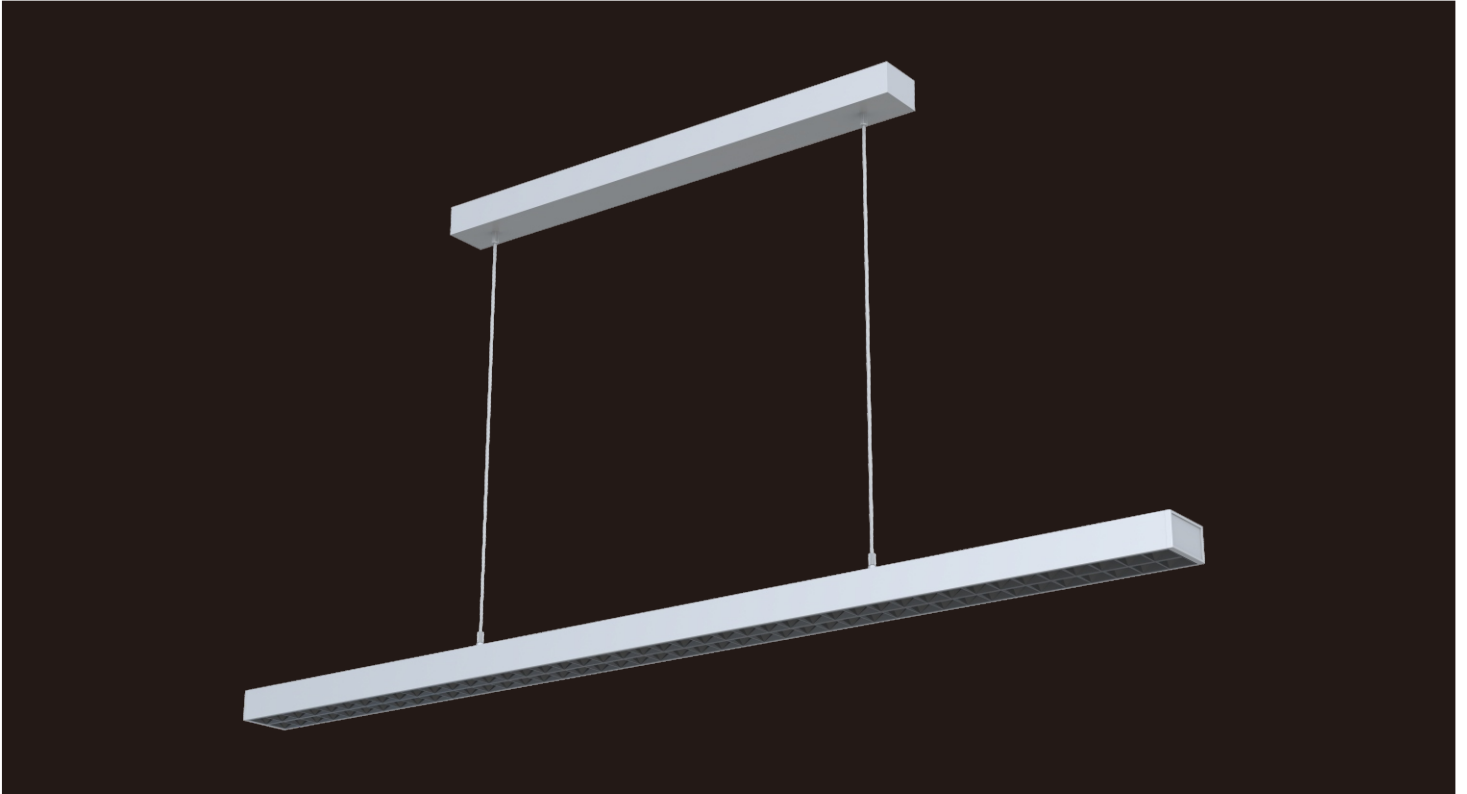


LENO-P0 pendant luminaires



With extremely simple design, excellent craftwork and hidden AC cable, exquisite appearance looks with rich of texture. Lamp is designed with special Direct/Indirect lighting and 110°(Indirect) beam angle. Collocated with micro reflector and anti-glare cover, it can realize 50°(Direct) beam angle and perfect light cutoff. UGR value is as low as 6. Main material includes aluminum profile, ADC12 and PC. Typical value of light efficiency is 110lm/w, and lighting is of flicker free. Direct(50% power)/Indirect(50% power) lighting can be synchronously controlled. Lamp supports 1-10V, DALI, CASABBI wireless for dimming.

Features

Simple and rich textured design, without AC cable

UGR<6

Support DALI and 1-10V dimming

Support CASABBI

Direct and Indirect lighting

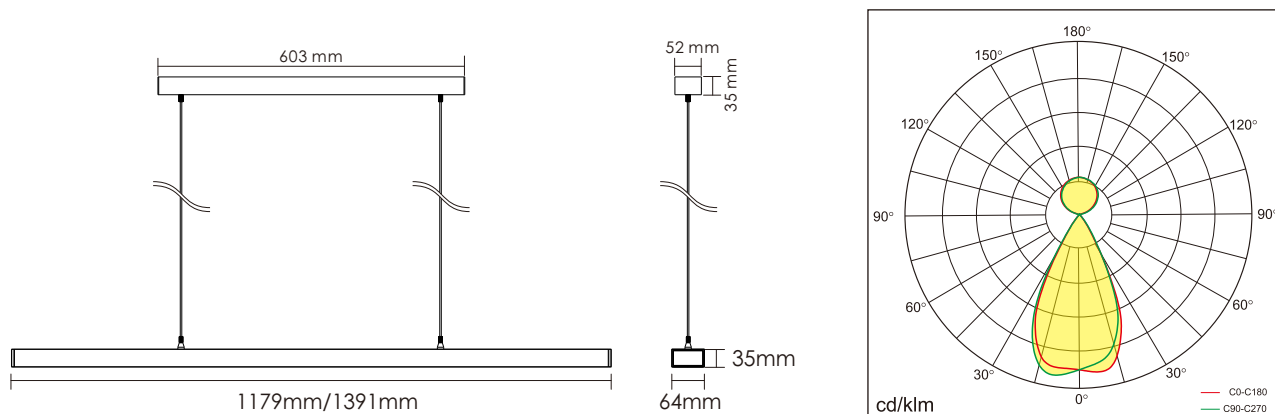
5 years warranty

Application Areas

For open-plan office, Individual office, small meeting room, reception, etc.



Technical data



Item No.	BLEP0-1206030-NN	BLEP0-1206030-VN	BLEP0-1206030-DN
Input Power	↑30W/30W↓		
Input Voltage	AC200~240V		
Power Factor	≥0.9		
Luminous Flux	↑3200lm/3200lm↓		
UGR	<6		
Color Rendering Index	>80		
Life Time	L80(B10)50,000H		
Beam Angle	↑115°/50°↓		
CCT	3000/4000/6000K		
Colour consistency SDCM	< 3		
Dimming	NO	1-10V dimming	DALI dimming
Sensor	NO		
Housing Color	Silver/White		
Fixture Material	6063AL		
Protection Level	IP20		
Storage Temperature	-40°C~+80°C		
Working Temperature	-20°C~+45°C		
Net Weight	3kg		
Package size	1240*340*330mm		
20GP	1376pcs		
40GP	3040pcs		

Technical data

Item No.	BLEP0-1507035-NN	BLEP0-1507035-VN	BLEP0-1507035-DN
Input Power	↑35W/35W↓		
Input Voltage	AC200~240V		
Power Factor	≥0.9		
Luminous Flux	↑3800lm/3800lm↓		
UGR	<6		
Color Rendering Index	>80		
Life Time	L80(B10)50,000H		
Beam Angle	↑115°/50°↓		
CCT	3000/4000/6000K		
Colour consistency SDCM	< 3		
Dimming	NO	1-10V dimming	DALI dimming
Sensor	NO		
Housing Color	Silver/White		
Fixture Materia	6063AL		
Protection Level	IP20		
Storage Temperature	-40°C~+80°C		
Working Temperature	-20°C~+45°C		
Net Weight	3.4kg		
Package size	1452*340*330mm		
20GP	1176pcs		
40GP	2600pcs		

Shenzhen Nexol Lighting Technology Co.,Ltd.

E-mail: info@nexol-lighting.com

www.nexol-lighting.com

Factory: 3&4th F, Building A3, Xin-Gui-Yuan Industrial Park, DaFu Road, GuanLan Town, ShenZhen, China 518110

Office: 5th F, Building A1, Zhang-Ge Techno Park, GuanLan Town, ShenZhen, China 518110



All values in specification are typical value from laboratory measurement, for concrete data, please refer to shipment testing report.

Information provided is subject to change without notice. Please verify all details with NEXOL Lighting.

Copyright Shenzhen Nexol Lighting Co., Ltd.. All rights reserved.