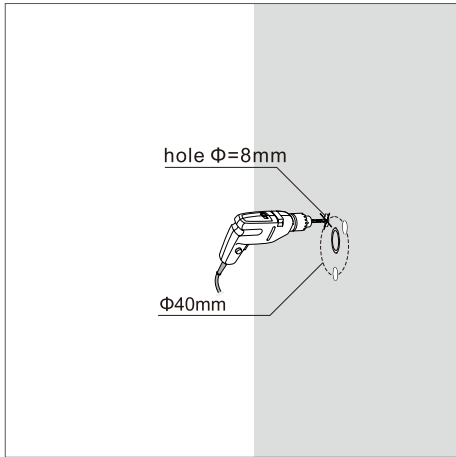
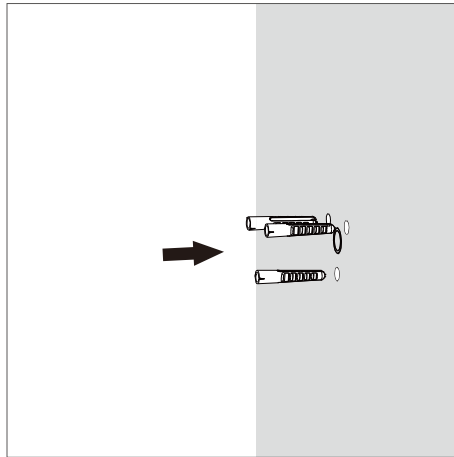


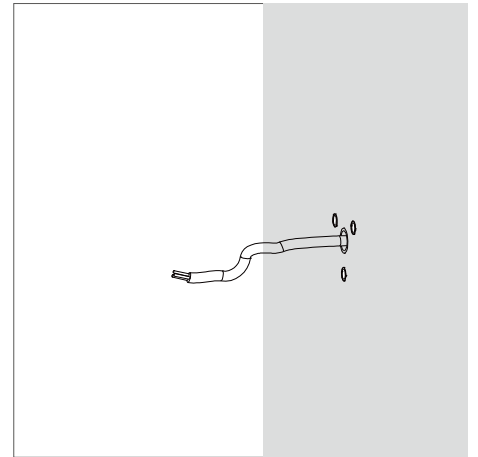
# Installation instruction



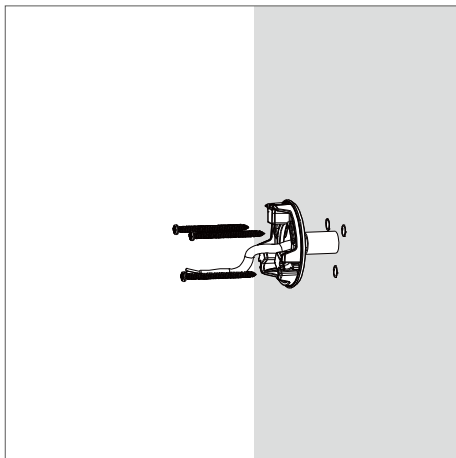
1. Ground drilling (three equal parts on a 40mm diameter circle, the hole diameter is 8mm)



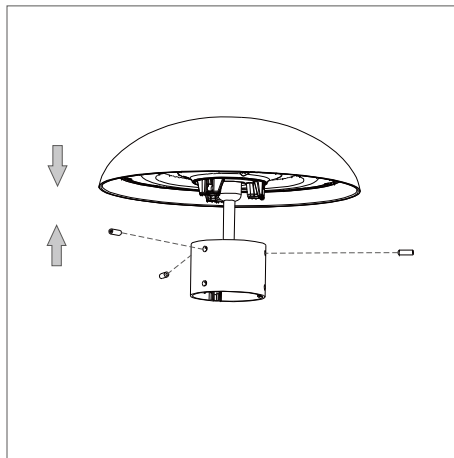
2. Insert expansion bolts



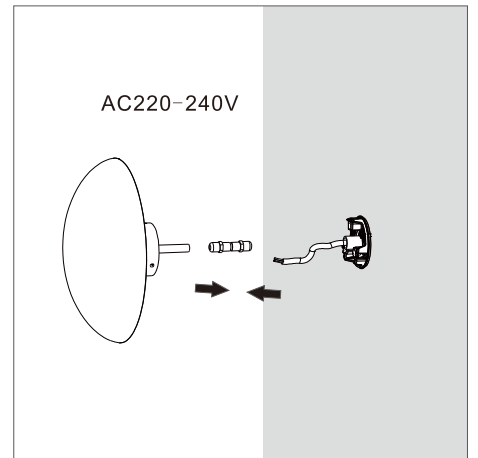
3. Put the wire through conduit tube



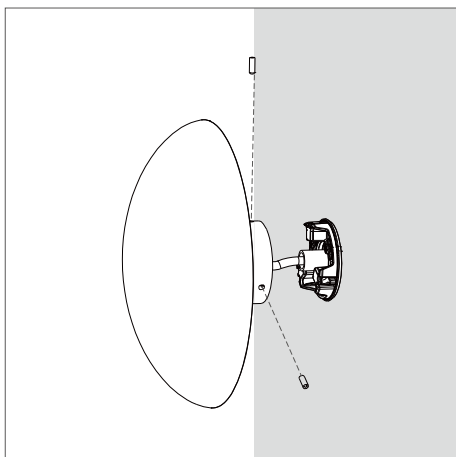
4. Fasten the mounting plate to the wall



5. Fix the bollard head and bollard tube



6. Connect the bollard wire to the electricity cable



7. Fix the bollard tube onto the mounting base

